

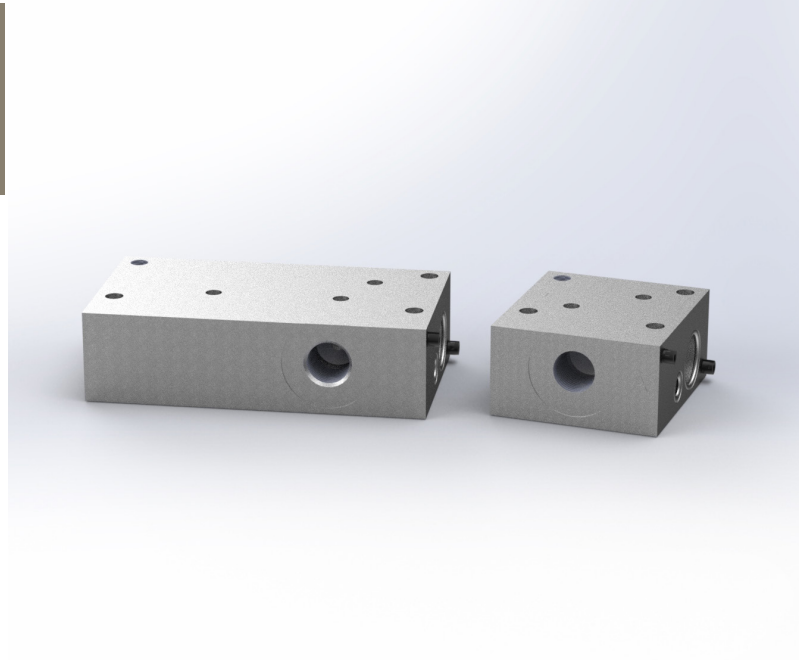
Subplates

Type APH

NG 4 Bieri
up to 12 l/min, up to **700 bar**

Features

- Good corrosion resistance



Applications

- Valve banks by valves of the series WVH-4B and WVH-4B-Bi

Design

- All control circuits have a common pressure connection P and tank connection T. The consumer connections A and B are each led out individually at the side.
- The plates are placed horizontally in a row and clamped together between starting block and end plate by tie bolts.
- With different connection threads

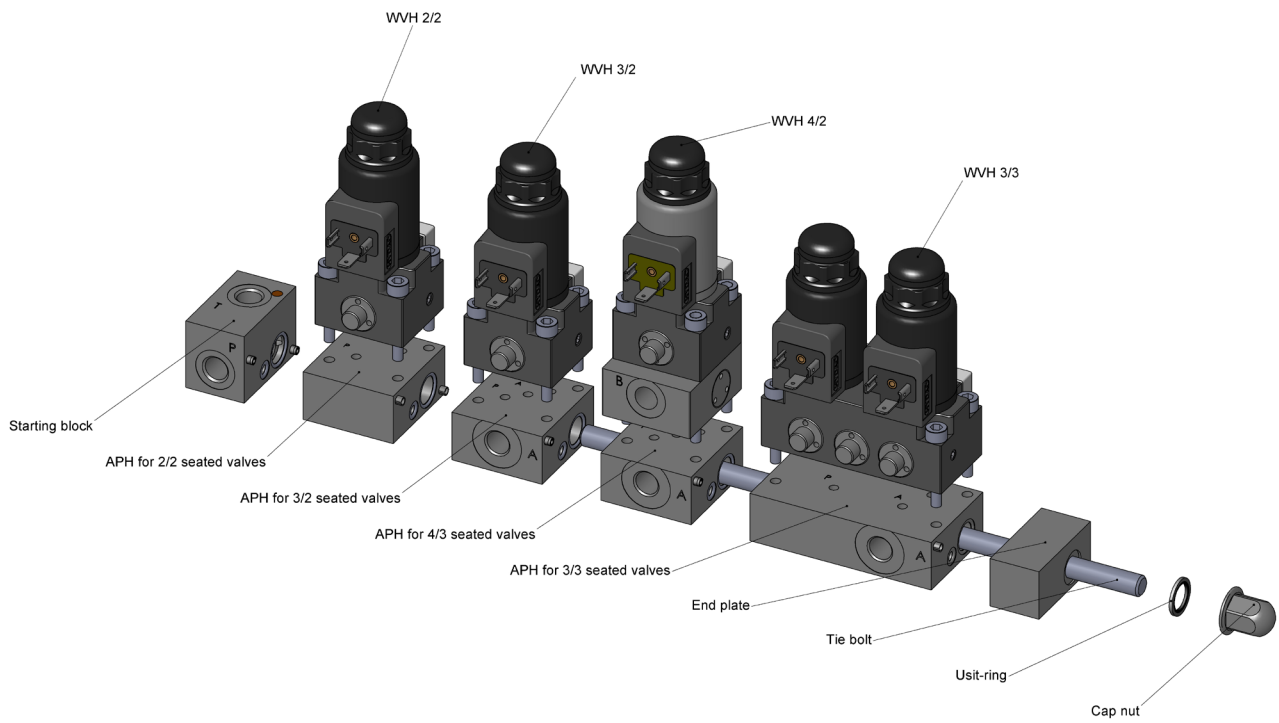
Technical data

Hydraulic fluid	mineral oil according to DIN 51524 (other fluids on request)
Fluid temperature range	-20 to 80 °C
Ambient temperature range	-30 to 50 °C
Viscosity range	5 to 400 mm ² /s
Porting	NG 4 according to Bieri standard
Max. operating pressure	700 bar
Max. flow rate	12 l/min
Filtration (recommendation)	according to NAS 1638 class 6 resp. ISO/DIN 4406 17/15/12
Weight	see overview "Product informations"
Material	corrosion-resistant steel

Type APH

NG 4 Bieri
up to 12 l/min, up to 700 bar

Example valve bank



Type code subplates for directional poppet valves

Example	APH		-	4B	-	2	/	2	-	AT	-	G1/4	-	V	-	A		00	
Subplates																			
Standard	blank																		
Nominal size	4 ..																		
Connection Bieri	.. B																		
Number of ports	2, 3 or 4																		
Number of positions	2 or 3																		
For function	PA	P - A (2/2-valve)																	
	AT	A - T (2/2-valve)																	
	PT	P - T (2/2-valve)																	
	X	for 3/2-, 3/3-, 4/2 valves																	
Threaded connections	G1/4	G 1/4" port																	
	G3/8	G 3/8" port																	
	X	no external port																	
Seal material	V	FKM																	
		other seal materials on request																	
		Design 00 ... 99 For internal purposes																	
		Index Please leave blank For internal purposes																	
		Design revision For internal purposes																	





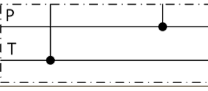


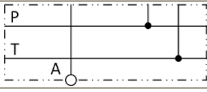
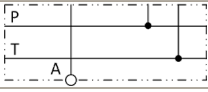


Type APH

NG 4 Bieri
up to 12 l/min, up to 700 bar

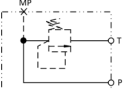



Type code subplates for starting blocks and end plate

Example	APH	-	4B	-	SP	-	X	-	G1/4	-	V	-	A		00
Subplates															
Standard	blank														
Nominal size	4 ..														
Connection Bieri	.. B														
Function	SP Starting block EP End plate														
Pressure relief valve	DB with hole for pressure relief valve DB (see technical data sheet DB500/700/1000) X without hole for pressure relief valve														
Threaded connection	G1/4 G 1/4" port G3/8 G 3/8" port X no external port														
Seal material	V FKM other seal materials on request														
														Design 00 ... 99 For internal purposes	
														Index Please leave blank For internal purposes	
														Design revision For internal purposes	

Product information subplates for directional poppet valves

Valve type	2/2			
For function	PA		AT	
Part No.	on request	on request	on request	on request
Threaded connection	1/4"	3/8"	1/4"	3/8"
Symbol				
Weight	0,5 kg	0,5 kg	0,5 kg	0,5 kg
Valve type	2/2			
For function	PT			
Part No.	on request			
Threaded connection	X			
Symbol				
Weight	0,5 kg			
Valve type	3/2		4/2	
For function	X		X	
Part No.	on request	on request	on request	on request
Threaded connection	1/4"	3/8"	1/4"	3/8"
Symbol				
Weight	0,5 kg	0,5 kg	0,5 kg	0,5 kg
Valve type	3/3			
For function	X			
Part No.	on request	on request		
Threaded connection	1/4"	3/8"		
Symbol				
Weight	0,75 kg	0,75 kg		

Product information subplates for starting blocks and end plate

Function	SP			EP
Pressure relief valve	DB	X		X
Part No.	on request	on request	on request	on request
Threaded connection	1/4"	1/4"	3/8"	3/8"
Symbol				
Weight	1 kg	1 kg	1 kg	0.5 kg

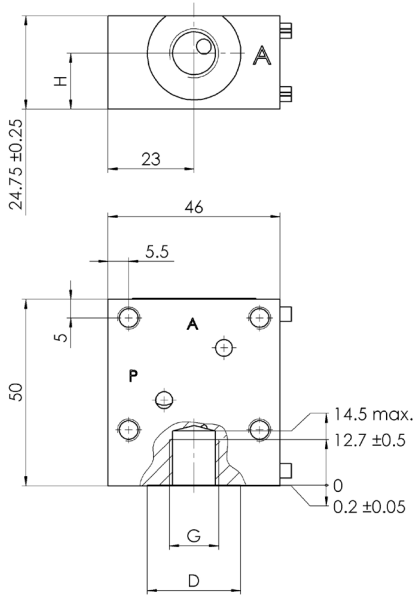
Type APH

NG 4 Bieri
up to 12 l/min, up to 700 bar

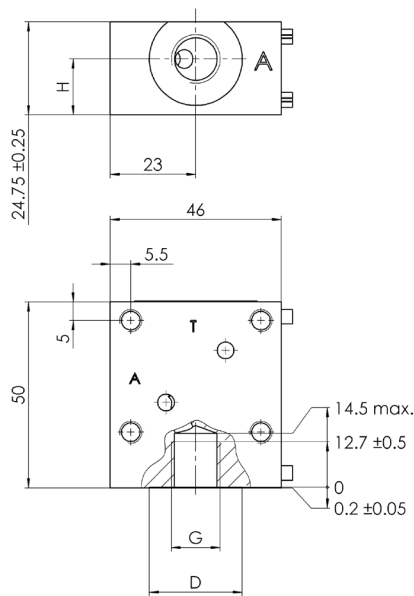
Dimensional drawings subplates for directional poppet valves

2/2 subplates

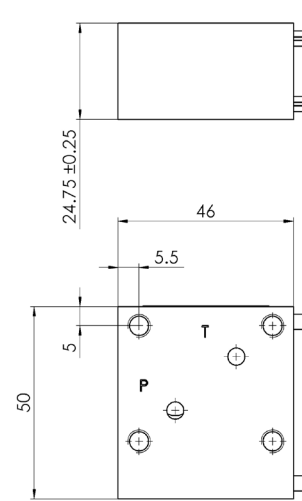
P - A



A - T

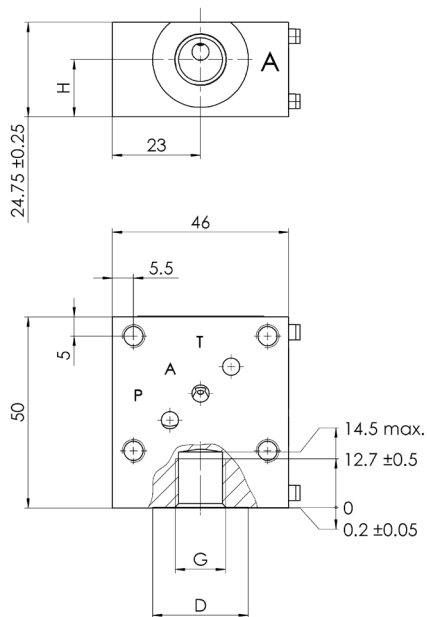


P - T



For function	PA		AT	
Part No.	3832459	3832460	3832457	3832458
Dim. H [mm]	15	14	15	14
Dim. D [mm]	25	28	25	28
Dim. G	1/4"	3/8"	1/4"	3/8"

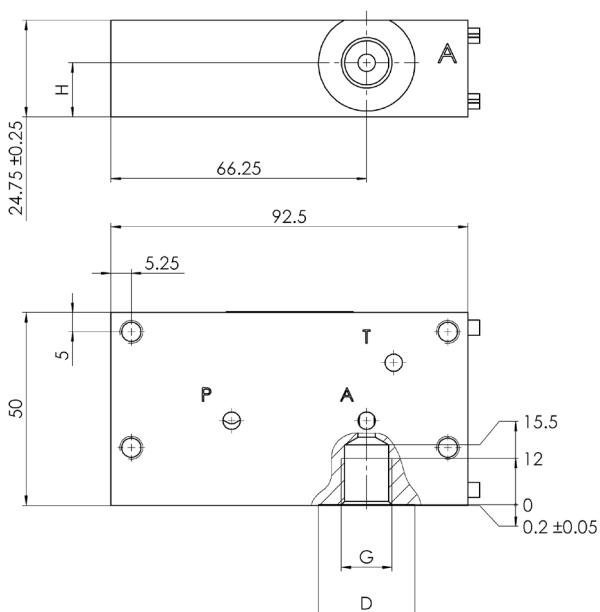
3/2- and 4/2- subplates



For function	X		X	
Part No.	3832495	3832496	3832530	3832532
Dim. H [mm]	15	14	15	14
Dim. D [mm]	25	28	25	28
Dim. G	1/4"	3/8"	1/4"	3/8"

When using the subplate with a 4/2 directional poppet valve, the plug must remain in the B channel of the valve (delivered condition). Connection B with pipe thread connection is located directly on the valve.

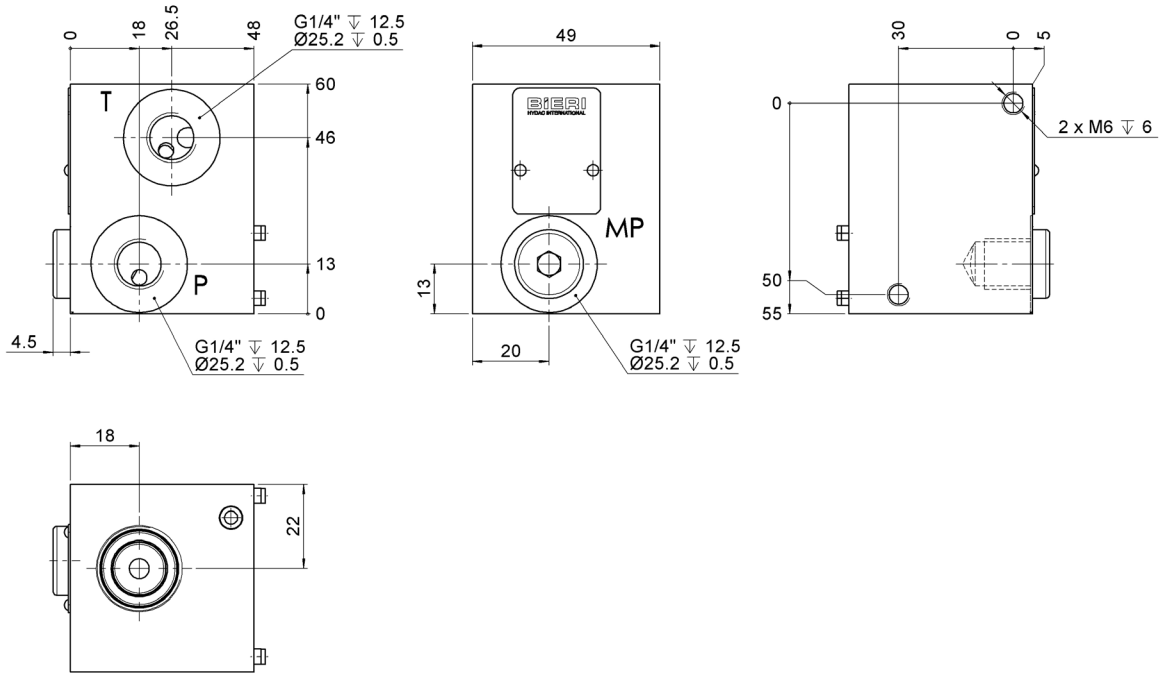
3/3- subplates



For function	X	
Part No.	3832508	3832509
Dim. H [mm]	15	14
Dim. D [mm]	25	28
Dim. G	1/4"	3/8"

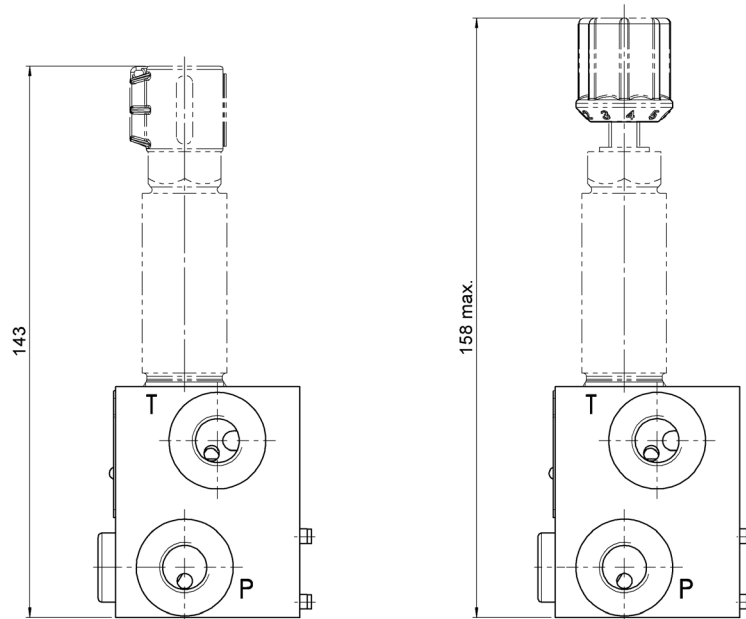
Dimensional drawings subplates for starting blocks and end plate

Starting block with hole for pressure relief valve



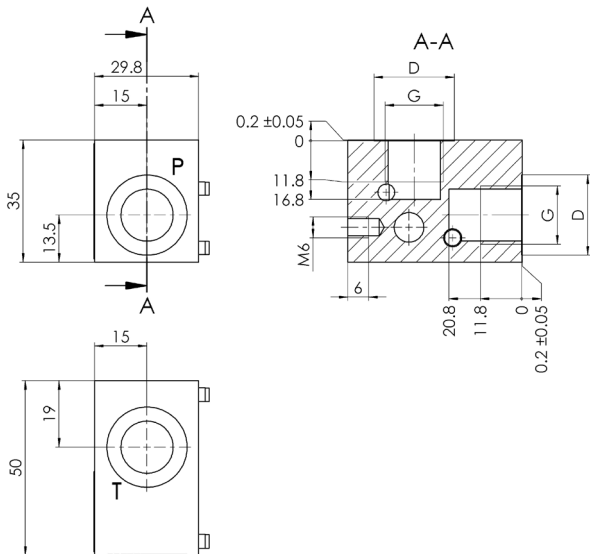
with sealing cap

with turning knob



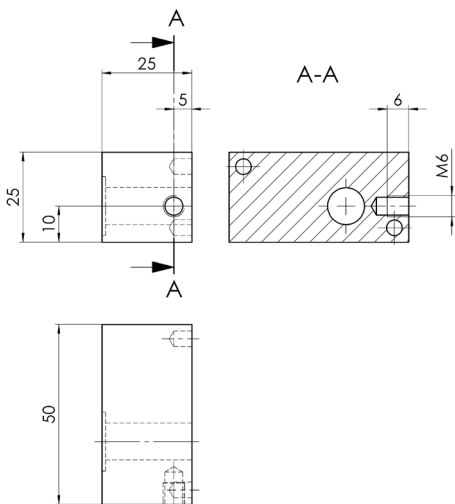
(Cartridge not included in scope of supply)

Starting block without hole for pressure relief valve



Part No.	3845391	4139619
Dim. D	20	23
Dim. G	1/4"	3/8"

End plate



Type APH

NG 4 Bieri
up to 12 l/min, up to 700 bar

Accessories

Item description	Part No.
Tie bolt M10	see dimensional table tie bolts M10
Cap nut	4006548
Usit-ring	6116776

Dimensional table tie bolts M10

Designation	Number of sections [section length = 46 mm]*	Bolt length [mm]	Part No.
ZgA M10x96	1	96	on request!
ZgA M10x142	2	142	on request!
ZgA M10x188	3	188	on request!
ZgA M10x234	4	234	on request!
ZgA M10x280	5	280	on request!
ZgA M10x326	6	326	on request!
ZgA M10x372	7	372	on request!
ZgA M10x418	8	418	on request!
ZgA M10x464	9	464	on request!

*** for interlinking with 3/3-directional poppet valves, two lengths must be include!**

Bieri Hydraulik AG

Könizstrasse 274
CH-3097 Liebefeld
Tel. +41 31 970 09 09 | Fax +41 31 970 09 10
info@bierihydraulics.com | www.bierihydraulics.com

The information in this brochure relates to the operating conditions and applications described.

For applications and operating conditions not described, please contact the relevant technical department.

Subject to technical modifications.