

Check valves

Type RVH

up to 25 l/min, up to **700 bar**

Features

- Poppet tight
- With open or closed flow in direction of screwing-in
- Screw-in thread G1/8 and G 1/4

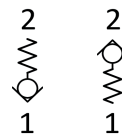


Applications

It is a spring-loaded poppet valve. The check valve is used for blocking of the flow in one and low-loss flow in the other direction.

Design

- Poppet valve
- Cartridge type
- The closing element is guided



Technical data

Hydraulic fluid	mineral oil according to DIN 51524 part 1 and 2 (other fluids on request)	
Fluid temperature range	-20 to 120 °C	
Ambient temperature range	-30 to 120 °C	
Viscosity range	2.8 to 800 mm ² /s	
Max. flow rate	see overview "Product information"	
Max. operating pressure	700 bar	
Max. pressure drop	see overview "Product information"	
Filtration (recommendation)	according to NAS 1638 class 10 resp. ISO/DIN 4406 21/19/16	
Weight	4.6 g	
Material	valve body:	free-cutting steel (hardened)
	closing element:	bearing steel
	valve seat:	free-cutting steel (hardened)

Type RVH

up to 25 l/min, up to 700 bar

Type code

Example		RV	H	- G1/8 -	A	- V -	A		00
Check valves								Design 00 ... 99 For internal purposes	
Size	H 700 bar							Index Please leave blank For internal purposes	
Design								Desing revision For internal purposes	
G1/8	G1/8" Screw-in thread								
G1/4	G1/4" Screw-in thread								
Flow direction	A (open from 1 to 2) R (closed from 1 to 2)								
Seal Material	V FKM other seal materials on request								

Product information

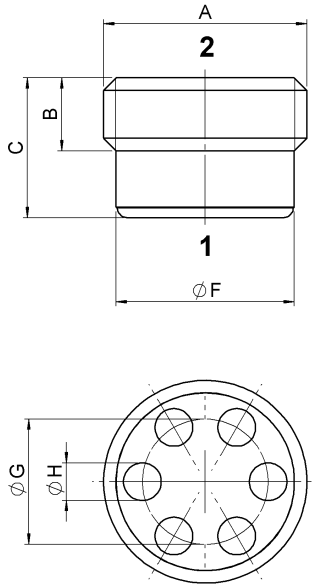
type code	flow direction	max. operating pressure [bar]	max. flow rate [l/min]	opening pressure [bar]	max. pressure drop * [bar]	part no.	symbol
RVH-G1/4-A-V-A*00	A	700	25	0,21	3	3831361	
RVH-G1/8-A-V-A*00		700	10	0,19	3	3831359	
RVH-G1/4-R-V-A*00	R	700	20	0,21	8	3831363	
RVH-G1/8-R-V-A*00		700	8	0,19	10	3831360	

* at max. flow rate

Dimensional drawings

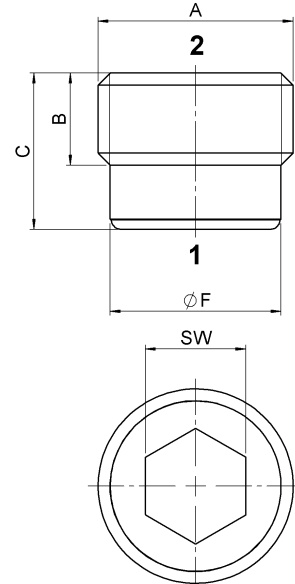
Flow direction A

with closed flow in screw-in direction



Flow direction R

with open flow in screw-in direction



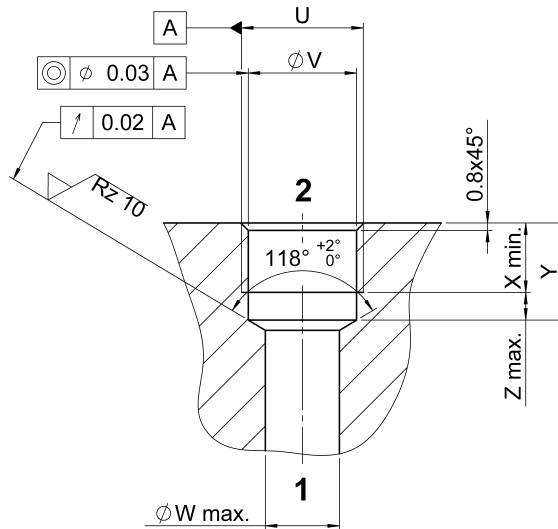
type code	Dim. A	Dim. B [mm]	Dim. C [mm]	Dim. E [mm]	Dim. F [mm]	Dim. G [mm]	Dim. H [mm]	Dim. SW [mm]	torque* [Nm]
RVH-G1/8-A-V-A*00	G1/8"	3,5	6,7	-	8,5	6	1,8	-	12
RVH-G1/8-R-V-A*00	G1/8"	4,6	7,8	-	8,5	-	-	5	12
RVH-G1/4-A-V-A*00	G1/4"	4,2	8,2	2,4	11,4	8,9	2,2	-	20
RVH-G1/4-R-V-A*00	G1/4"	6,3	10	2	11,4	-	-	7	20

* If required, the valves must be secured additionally against becoming loose by an adequate measure.

Type RVH

up to 25 l/min, up to 700 bar

Cavity

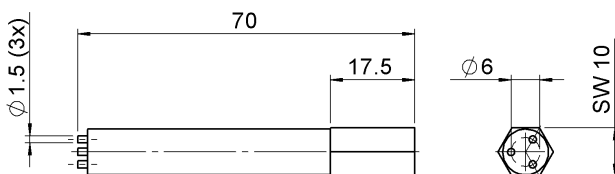


Design	Dim. U	Dim. V [mm]	Dim. W [mm]	Dim. X [mm]	Dim. Y [mm]	Dim. Z [mm]
G1/8	G1/8"	8,7 ^{+0,1}	5	6	8,5	2,5
G1/4	G1/4"	11,7 ^{+0,1}	8	7,5	10,5	3

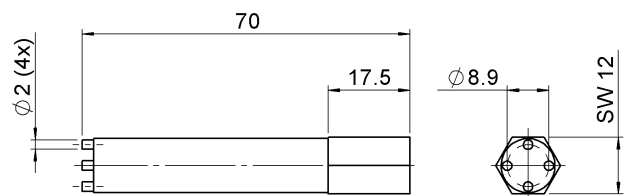
Accessories

Item description	part no.
Assembly tool for RVH G1/8-A	4001598
Assembly tool for RVH G1/4-A	4001599

4001598



4001599



Bieri Hydraulik AG

Könizstrasse 274
 CH-3097 Liebefeld
 Tel. +41 31 970 09 09 | Fax +41 31 970 09 10
 info@bierihydraulics.com | www.bierihydraulics.com

The information in this brochure relates to the operating conditions and applications described.

For applications and operating conditions not described, please contact the relevant technical department.

Subject to technical modifications.